



ODYSSEY SERIES

Usage and Care Manual

Models:

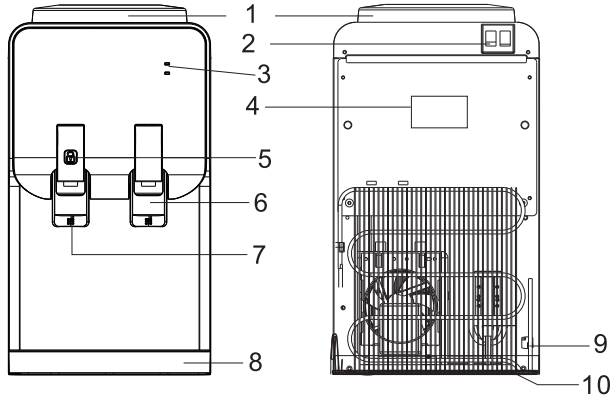
AC-ODYBHC-BLK-CT

AC-ODYBCC-BLK-CT

Your Partner in Cool.

AQUA
COOLER

PRODUCT DIAGRAM



- | | |
|--|---|
| 1. Bottle support/spike | 7. Hot water/ambient water faucet (model dependent) |
| 2. Power switches (model dependent) | 8. Drip tray |
| 3. Indicator lights | 9. Power cord |
| 4. Information plate | 10. Drain plug |
| 5. Child safety lock (model dependent) | |
| 6. Cold water faucet | |

TECHNICAL SPECIFICATIONS

Water Reservoir	Cold	2.5 L	Hot (if applicable)	1.5 L
Housing Material	Plastic with steel side panels and corner pieces			
Refrigeration	Uses R134A refrigerant			
Thermostat Control	The thermostat is factory set			
Capacity	Cold	2 L/h	Hot (if applicable)	5 L/h
Power Consumption	Cold	85W	Hot (if applicable)	420W
Electrical	220V-240V, 50Hz			
Warranty	Twelve month comprehensive coverage. Three year compressor replacement.			

IMPORTANT SAFETY INSTRUCTIONS

When using electrical appliances, basic safety precautions should be followed to reduce the risk of fire, electric shock, and injury to persons or property. Read all instructions before using any appliance.

1. Make sure to have poured water before plugging and switching the appliance ON. If the dispenser is turned ON with an empty water tank, it can be damaged. See installation instruction section
2. When you are ready to move the water cooler, do not tilt more than 45° to avoid damage to the compressor.
3. Always install the dispenser indoors, on a flat surface and at a distance no less than 15cm from the back wall.
4. Keep this appliance away from high temperatures and in a dry and ventilated place. Never install it in the open air or under rain or direct sunlight.
5. If the appliance is not going to be used for a long period of time, unplug it and drain all water in its interior.
6. Before the first use and after a long period of not using it, the water tank and water pipes should be cleaned well. If possible, they should be disinfected.
7. Wash and disinfect the system every 3-6 months with a suitable cleaner and according to its instructions for use.
8. Do not pull out the cable to unplug. Do not turn ON and OFF the appliance by connecting it and disconnecting it from the source of electricity.
9. Do not clean the outside of the appliance with water to avoid electric shock. Clean it with a soft cloth.
10. If you are not using the appliance for a long period of time or during the night, you can turn it OFF to save energy.
11. Do not attempt to change the power cord by yourself if it has any damage. Contact the manufacturer or specialised service personnel.
12. If the power cable suffers any damage, contact the manufacturer, service representative or qualified personnel.
13. The equipment must be installed keeping easy access to the electrical plug.
14. **WARNING** - to avoid the risks of an unstable installation, the equipment must be installed following its instructions.
15. **WARNING** - keep the ventilation openings at the back of the appliance uncovered and unobstructed.
16. **NOTICE** - do not damage the refrigerant circuit.
17. The environmental temperature for this appliance should be between 18°C and 38°C.
18. This appliance can be used by children aged from 8 years and above and persons with reduced physical, sensory or mental capabilities or lack of experience and knowledge if they have been given supervision or instruction concerning use of the appliance in a safe way and understand the hazards involved. Children shall not play with the appliance. Cleaning and use maintenance should not be carried out by children without supervision. Do not store explosive substances such as aerosol cans with a flammable propellant in this appliance. This appliance is intended to be used in household and similar applications such as
 - staff kitchen areas, shops, offices and other working environments;
 - clients in hotels, motels and other residential type environments;
 - bed and breakfast type environments;
 - catering and similar non-retail applications
19. Do not place other appliances inside this equipment unless those are recommended by the manufacturer.
20. Do not store explosive substances such as spray cans inside this appliance.

IMPORTANT INFORMATION ABOUT GROUNDING

- To provide additional protection from the risk of shock, this unit **MUST** be connected to a power outlet protected by a RCD (safety switch) at all times. Use of an extension cord will void any warranties.
- This appliance is equipped with a power cord having a grounding wire with a grounding plug and must be connected into a properly-grounded, polarised outlet.
- Consult a qualified electrician if the grounding instructions are not completely understood, or if doubt exists as to whether the appliance is properly grounded. If the wall outlet is a standard, 2-prong outlet, it is your personal responsibility and obligation to have it replaced with a properly-grounded, 3-prong wall outlet.
- Do not under any circumstances cut or remove the third (ground) prong from the power cord plug. Do not use an adapter plug with this appliance.

UNPACKING THE WATER COOLER

1. After unpacking the water cooler, wipe with a soft cloth.
2. Place the machine on a hard, flat surface. Make certain the unit is level. The unit should not be close to direct sunlight or other sources of heat.
3. It is best to place the water cooler in an area with good air circulation. Make sure there is at least 10 cm of space between the back of your cooler and the wall. Keep a minimum distance of 5 cm on each side of your water cooler.

WARNING - The drain cap on the back of the unit may become loose during shipping. Fasten the drain cap tightly before you start to operate the unit. If the drain cap is loose, the unit may leak and cause floor damage.

INSTALLATION PROCEDURE

1. Make sure the water dispenser is not plugged into an electrical outlet.
2. Remove the bottle support by twisting in the direction specified to access tank
3. Flush tank with water and wipe with soft cloth
4. Insert the water bottle vertically on the bottle support/spike of the water dispenser.
5. Wait until the tanks fill with water. Press the cold water tap down until water begins to flow. Press the hot water tap (if applicable) down until water begins to flow.
6. Flush through 5L of water to ensure lines are cleaned. More may be required if taste is strange. Once flushed, ensure the cooler tanks are full of water before moving to step 7.
7. Insert the power plug into an electrical outlet.
8. Turn the electric switches to ON position to start the appliance.
DO NOT MOVE BOTH SWITCHES AT THE SAME TIME. ENSURE STEP THREE IS COMPLETED FIRST
9. Indicator lights on front should light up. The appliance is designed to provide water whenever you need it. It will automatically turn on and off when the water reaches the desired temperatures. The indicator lights will not show all the time.
10. When heating light turns off, the heating tank is at temperature. Make sure to drain the hot tank through the tap after the first heating cycle and dispose of water.


CLEANING AND MAINTENANCE

- Remove or disconnect power before performing any maintenance or servicing the product.
- Never use detergent or chemicals to clean the water tanks.
- If dust or other exterior substance has accumulated on the condenser, wipe off with water-soaked soft cloth.
- Do not directly spray water on the surface of the product. Wipe the front and back of the product with water-soaked soft cloth.
- After cleaning the product, ensure it is completely dried before beginning use again.

TROUBLESHOOTING

Problem	Possible Cause	Remedy
Unit does not dispense cold water.	Over consumption of cold water in a short time.	Wait for 15 minutes while the water cools and try again.
	System malfunction.	Contact Aqua Cooler service team.
	The ventilation around the unit is insufficient.	Ensure sufficient ventilation space around the unit.
	The cold water switch is damaged or does not make contact	Replace the switch and check the electrical connection
	The electrical connection is loose	Repair connection
	The temperature of the water in the water bottle is too high.	Ensure the unit is not placed in direct sunlight or close to other heat sources.
	The cold water switch is in the OFF position.	Switch the cold water switch to the ON position.
	Cold water baffle is not set properly.	Secure the cold water baffle in the cold tank.
Unit does not dispense hot water (model dependent)	Over consumption of hot water in a short time	Wait for 15 minutes while the water heats and try again
	The hot water switch is damaged or does not make contact	Replace the switch and check the electrical connection
	The heating tank element is burnt out	Replace heating tank element
	The electrical connection is loose	Repair electrical connections
Unit is noisy during operation.	The hot water switch is in the OFF position	Switch the hot water switch to the ON position.
	The appliance is not level.	Place the unit on a level, flat surface.
Water leaks from the faucet.	Unit is touching other objects.	Ensure the unit is standing free of any surrounding objects.
	The top portion of the faucet has come loose.	Tighten the top threaded portion of the faucet.
	The water container is broken.	Replace the water container
	The water pipe is broken.	Replace the water pipe
Lights are not functioning	The faucet has been damaged.	Replace the faucet or contact Aqua Cooler service team.
	Appliance is not connected to the electrical system.	Make sure the switch is ON and the plug is connected.
Water is dripping out of the water cooler and onto the floor.	The switch is not ON	Turn the switch into ON or turn the timer
	The hose connector is not connected properly.	Make sure the hose connector is properly connected.
	The inside water tanks are leaking.	Contact Aqua Cooler service team.
	The drain cap on the back is not fastened correctly.	Tighten the drain cap. If the sealing silicon material inside the drain cap is torn or damaged, then replace with a new one.
The water being dispensed has a strange taste.	Crack or pin holes in the bottle.	Replace with a new bottle.
	This is not uncommon with new water coolers. Do not worry, this is not dangerous to your health.	Clean the hose in the dishwasher (top rack only) or let it soak in dish soap. The strange taste usually goes away after the first bottle has been consumed.

Your Partner in Cool.



AQUA
COOLER

Your Partner in Cool.

Phone Numbers

Sales: 1300 278 226
Service: 1800 278 226

Address

U14, 2-12 Knobel Court
Shailer Park QLD 4128

Internet

www.aquacooler.com.au
info@aquacooler.com.au