



HARMONY SERIES

Usage and Care Manual

Models: HBCC, and HBHC

Your Partner in Cool.

AQUA
COOLER

PRODUCT DIAGRAM

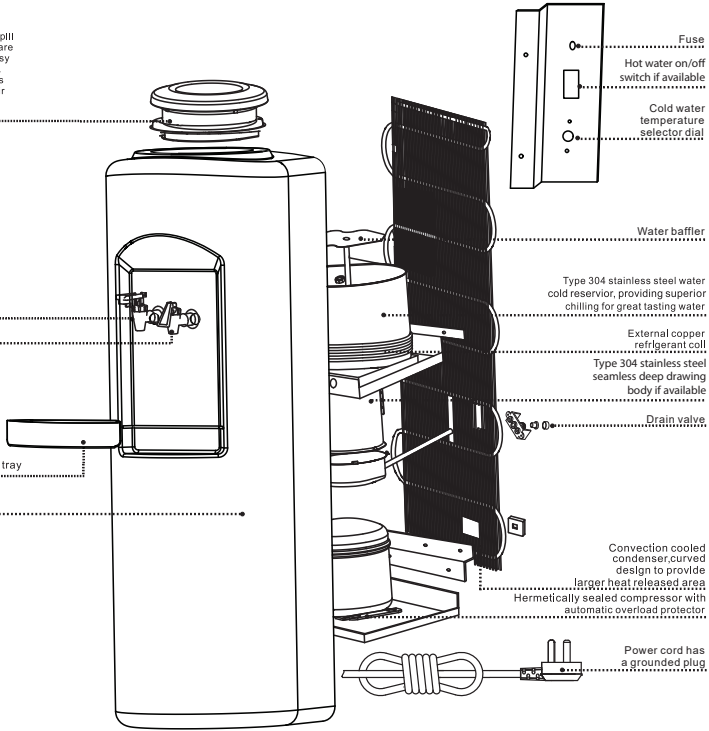
Integrated Non-Spill System, all parts are detachable for easy cleaning purpose. The water guard is equipped with an air filter device for added hygiene.

Hot water tap if available

Cold water tap

Removable easily clean drip tray

Blown body



Fuse
Hot water on/off switch if available
Cold water temperature selector dial

Water baffle

Type 304 stainless steel water cold reservoir, providing superior chilling for great tasting water

External copper refrigerant coil
Type 304 stainless steel seamless deep drawing body if available

Drain valve

Convection cooled condenser, curved design to provide larger heat released area
Hermetically sealed compressor with automatic overload protector

Power cord has a grounded plug

TECHNICAL SPECIFICATIONS

Water Reservoir	Cold	4 L
	Hot	2 L
Refrigeration	Uses R134A refrigerant	
Water Connections	Water Inlet	Water bottle
Thermostat Control	The thermostat is factory set	
Capacity	Cold	5 L/h
	Hot	2 L/h
Power Consumption	85 W cooling, 500 W heating	
Electrical	220-240 V, 50/60 Hz	
Warranty	Twelve month comprehensive coverage. Three year compressor replacement.	

Note: Hot section is not available for Cold and Ambient (HBCC) model.

IMPORTANT SAFETY INSTRUCTIONS

When using electrical appliances, basic safety precautions should be followed to reduce the risk of fire, electric shock, and injury to persons or property. Read all instructions before using any appliance.

1. Do not let hot water touch bare skin.
2. Keep combustible material such as furniture, bedding, pillows, clothes, and/or papers away from the back of the unit.
3. Do not operate this, or any other appliance, with a damaged power cord.
4. No other appliance should be plugged into the same outlet. Be sure that the plug is fully inserted into the outlet.
5. Do not run the power cord over carpeting or other heat insulators.
6. Do not cover the power cord.
7. Keep the power cord away from high traffic areas.
8. Do not submerge the power cord in water.
9. We do not recommend the use of extension cords as they may overheat and cause a risk of fire.
10. Exercise caution and use reasonable supervision when the appliance is used by or near children.
11. Do not use your water dispenser outdoors.
12. Place the water dispenser away from direct sunlight and make sure that there is at least 10 cm of space between the back of your unit and wall. Keep a minimum of 5 cm on each side of your unit free.
13. Do not use this product to dispense anything other than water.
14. This appliance must be placed on an even and flat surface.
15. If the supply cord is damaged, the manufacturer, one of its service agents or a similarly qualified person must replace it in order to avoid a hazard.
16. This water cooler must be positioned so that the plug is accessible.
17. Disconnect the plug from the outlet when not in use.
18. Remove power plug or disconnect from the main power source before servicing the appliance.

IMPORTANT INFORMATION ABOUT GROUNDING

- To provide additional protection from the risk of shock, this unit **MUST** be connected to a residual-current device (RCD) outlet at all times. Use of an extension cord will void any warranties.
- This appliance must be grounded. Improper use of the grounding plug can result in a risk of electric shock, causing serious injury and possibly death.
- This appliance is equipped with a power cord having a grounding wire with a grounding plug and must be connected into a properly-grounded, polarised outlet.
- Consult a qualified electrician if the grounding instructions are not completely understood, or if doubt exists as to whether the appliance is properly grounded. If the wall outlet is a standard, 2-prong outlet, it is your personal responsibility and obligation to have it replaced with a properly-grounded, 3-prong wall outlet.
- Do not under any circumstances cut or remove the third (ground) prong from the power cord plug. Do not use an adapter plug with this appliance.

UNPACKING THE WATER COOLER

1. After unpacking the water cooler, wipe with a soft cloth.
2. Place the machine on a hard, flat surface. Make certain the unit is level. The unit should not be close to direct sunlight or other sources of heat.
3. It is best to place the water cooler in an area with good air circulation. Make sure there is at least 10 cm of space between the back of your cooler and the wall. Keep a minimum distance of 5 cm on each side of your water cooler.

INSTALLATION PROCEDURE

The installation must be in accordance with AS/NZS 3500.1 and AS/NZS 3500.2, as well as the instructions below.

For HBCC and HBHC model:

1. Ensure proper ventilation at least 10 cm of space between the back of your cooler and the wall. Keep a minimum distance of 5 cm on each side of the water cooler.
2. Place water bottle on top of unit and allow tank to fill.
3. Hold down the taps until a steady stream of water comes from the tap.
4. Check all connections for water leaks.
5. Flush fresh water through unit for five minutes to ensure any residual water from testing is cleared.
6. Plug the cooler into the building electrical supply. Switch to the ON position. The first time the water cooler is used, you will have to wait at least 45 minutes for cold and hot water.

OPERATION

After the water bottle has been connected to the water cooler, the unit is ready for use. Water will flow from the bottle into the hot and cold reservoirs. Turn the power switch on the back of the unit to the ON position and then the unit will start to operate. The first time the water cooler is used, you will have to wait at least 45 minutes for cold and hot water.

For the cook and cold model:

- To dispense cook (ambient) water, press the cook tap down.
- To dispense cold water, press the cold tap down.

For the hot and cold model:

- To dispense hot water, press the hot water tap down.
- To dispense cold water, press the cold water tap down.

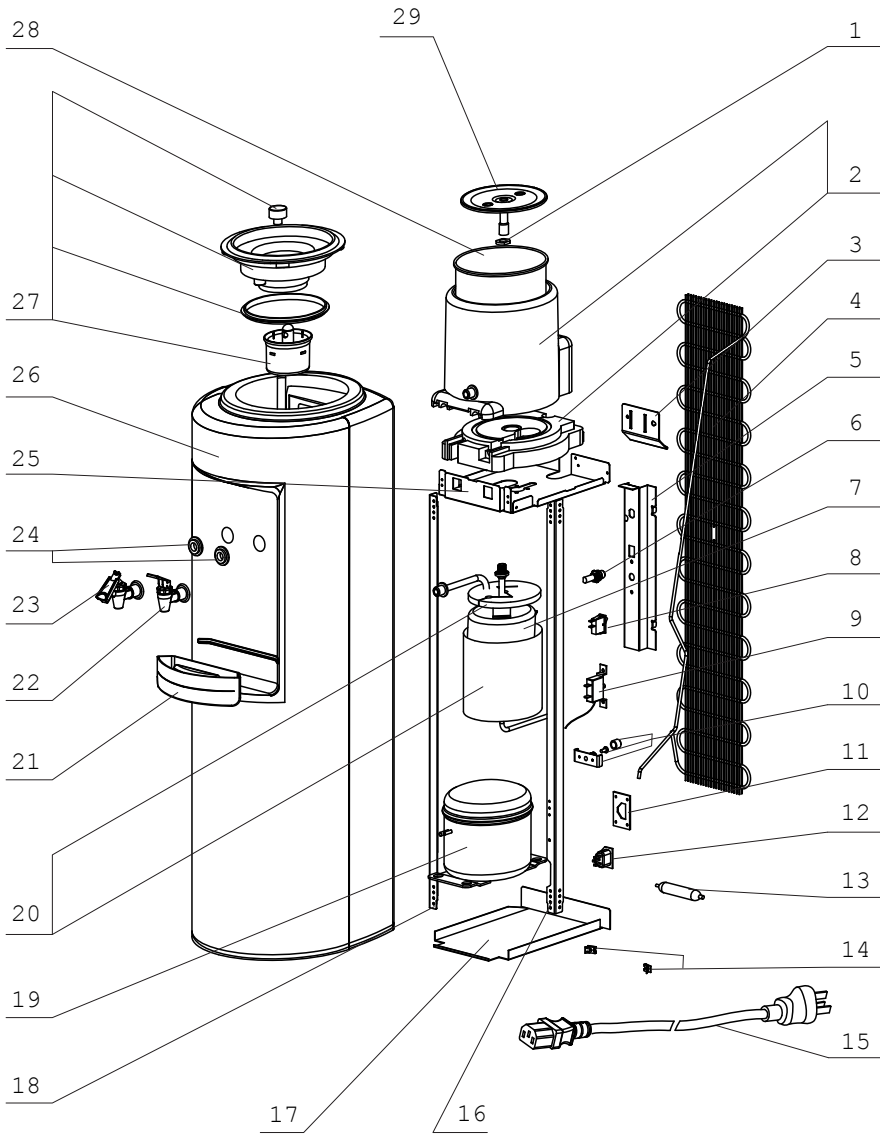
TROUBLESHOOTING

Problem	Possible Cause	Remedy
The unit does not dispense hot and cold water.	Unit is unplugged.	Plug the power cord into an outlet.
	Main power supply is off.	Re-establish main power supply.
	Damaged water dispenser.	Contact Aqua Cooler service team.
	The water bottle cap is not attached properly to the connector on the water cooler.	Connect properly. There will be a give when the hose cap slides properly over the connector.
Unit does not dispense cold water.	Over consumption of cold water in a short time.	Wait for 15 minutes while the water cools and try again.
	System malfunction.	Contact Aqua Cooler service team.
	The ventilation around the unit is insufficient.	Ensure sufficient ventilation space around the unit.
	The temperature of the water in the water bottle is too high.	Ensure the unit is not placed in direct sunlight or close to other heat sources.
Unit does not dispense hot water.	Over consumption of hot water in a short time.	Wait for 15 minutes while the water heats and try again.
	System malfunction.	Contact Aqua Cooler service team.
Unit is noisy during operation.	The appliance is not level.	Place the unit on a level, flat surface.
	Unit is touching other objects.	Ensure the unit is standing free of any surrounding objects.
Water leaks from the faucet.	The top portion of the faucet has come loose.	Tighten the top threaded portion of the faucet.
	The faucet has been damaged.	Contact Aqua Cooler service team.
Water is dripping out of the water cooler and onto the floor.	Bottle is not connected properly.	Make sure the bottle is positioned directly in the middle of the cooler bottle connection and the spike is penetrated into the middle of the bottle seal cap.
	The inside hot or water tanks are leaking	Contact Aqua Cooler service team.
The water being dispensed has a strange taste.	This is not uncommon with new water coolers. Do not worry, this is not dangerous to your health.	Clean the water reservoir. The strange taste usually goes away after the first bottle has been consumed.

CLEANING AND MAINTENANCE

- Remove or disconnect power before performing any maintenance or servicing the product.
- Never use detergent or chemicals to clean the water tanks.
- If dust or other exterior substance has accumulated on the condenser, wipe off with water-soaked soft cloth.
- Do not directly spray water on the surface of the product. Wipe the front and back of the product with water-soak soft cloth.
- After cleaning the product, ensure it is completely dried before beginning use again.

EXPLODED DIAGRAM

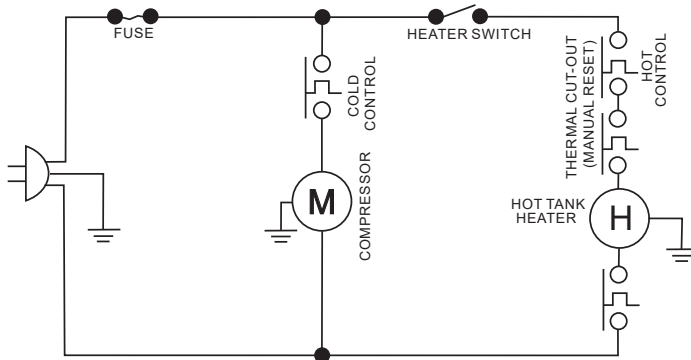


SPARE PART LIST

#	Description	Code
1	Nut of cold tank	SPH1
2	Insulation foam of cold tank	SPH2
3	Handle	SPH3
4	Condenser	SPH4
5	Support of electricity	SPH5
6	Fuse	SPH6
7	Hot tank assembly	SPH7
8	On/off switch	SPH8
9	Adjustable cold thermostat	SPH9
10	Drain valve	SPH10
11	Plug fixing mount	SPH11
12	Plug	SPH12
13	Drier	SPH13
14	Clip	SPH14
15	Power plug	SPH15

#	Description	Code
16	Support frame 2	SPH16
17	Bottom panel	SPH17
18	Support frame 1	SPH18
19	Compressor	SPH19
20	Heat preservation sponge	SPH20
21	Drip tray	SPH21
22	Cold water tap	SPH22
23	Hot water tap	SPH23
24	Sealed ring of tap	SPH24
25	Upper panel	SPH25
26	Shell	SPH26
27	Integrated non-spill system	SPH27
28	Cold tank assembly	SPH28
29	Water baffler	SPH29

ELECTRICAL DIAGRAM



WARRANTY AND SERVICE REGISTRATION

For All Aqua Cooler Water Cooler and Fountain Products

Effective July 2017

Aqua Cooler Pty Ltd warrants this appliance to the first purchaser as follows and subject to the stated conditions.

12 Month Comprehensive Warranty - Any defect in the appliance occurring within the first twelve months from the date of purchase will be rectified free of charge by Aqua Cooler Pty Ltd or by any authorised independent Service Agent.

24 Month Extended Warranty - Aqua Cooler Pty Ltd agrees to replace any part of the hermetically sealed refrigeration system which becomes inoperative in the two years following the first years comprehensive warranty. This extended warranty covers the compressor, condenser, and interconnecting refrigeration pipework. It excludes compressor relays, overloads and all other components of this appliance. This extended warranty does not include service, repair or labour costs or any pickup and/or freight charges. Aqua Cooler at its sole discretion may replace the cooler with a new or refurbished cooler of a similar age.

Warranty Exclusions

1. Any costs associated with the removal and reinstallation of repaired or replaced units.
2. Travel expenses to locations further than 100km from any Australian capital city CBD or further than 100km of a registered Service Agent.
3. Damage to units where mains connected pressure is higher than 700 kPa and a pressure limiting valve is not installed.
4. Where the unit is not installed as per installation instructions found within the supplied user manual.
5. The warranty does not cover defects occasioned by misuse, alterations, accident or where the water cooler has been stored on its side.

FOR ANY CLAIM UNDER THIS WARRANTY PLEASE CONTACT AQUA COOLER PTY LTD

PHONE: +61 (02) 9721 9300 OR EMAIL: support@aquacooler.com.au

Thank you for your custom and we hope our product provides many years of fault free operation. To enable us to register your warranty and provide best possible service should a problem occur, we recommend you fill out the section below and return it to us immediately.

This warranty is provided in addition to other rights and remedies you have under law: Our goods come with guarantees which cannot be excluded under the Australian Consumer Law. You are entitled to replacement or refund for a major failure and to compensation for other reasonably foreseeable loss or damage. You are also entitled to have the goods repaired or replaced if the goods fail to be of acceptable quality and the failure does not amount to a major failure.

Warranty and Service Registration Form

Please fill in this form and mail to us or send via email to support@aquacooler.com.au. If this form is not completed and returned the warranty period will be deemed to have commenced from date of manufacture.

COMPANY NAME (if applicable):

CONTACT NAME:

PHONE NUMBER:

ADDRESS:

SUBURB:


POSTCODE:

MODEL NUMBER:

SERIAL NUMBER:

PURCHASED FROM:

DATE OF PURCHASE:

The logo for Aqua Cooler is centered on a background of a dynamic water splash. The word "AQUA" is written in white, uppercase, sans-serif font on a dark blue rectangular background. Below it, the word "COOLER" is written in black, uppercase, sans-serif font on a white rectangular background.

AQUA COOLER

Your Partner in Cool.

Phone Numbers

Sales: 1300 278 226
Service: 1800 278 226

Address

U14, 2-12 Knobel Court
Shailer Park QLD 4128

Internet

www.aquacooler.com.au
info@aquacooler.com.au