



SURFACE MOUNTED BOTTLE FILLER

Usage and Care Manual

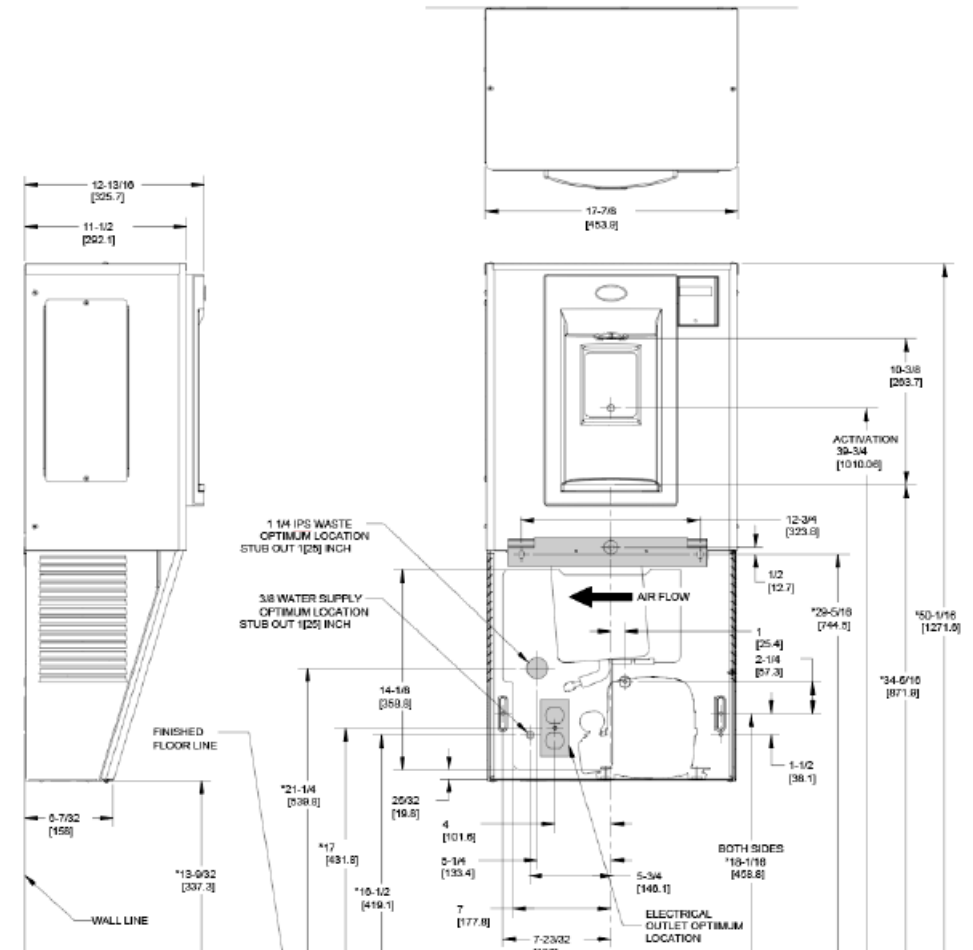
Models: AC-PN8EBFY

Your Partner in Cool.

AQUA
COOLER

PRODUCT DIAGRAM

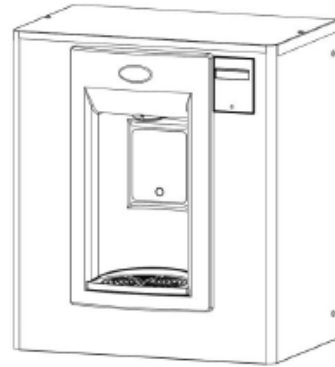
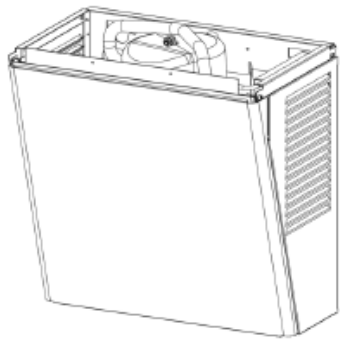
Your Partner in Cool.



NOTES:

1. TRAP, STOP VALVE AND ELECTRICAL OUTLET NOT FURNISHED.
2. ALLOW 4 INCHES [102MM] MIN. PER SIDE FOR VENTILATION.
3. RECOMMENDED ADULT BARRIER FREE HEIGHT INSTALLATION SHOWN. REDUCE HEIGHT BY 3 INCHES FOR INSTALLATIONS USED PRIMARILY BY CHILDREN AGES 12 AND YOUNGER. UNIT SHALL ALSO HAVE A MINIMUM CLEAR FLOOR SPACE 30[760] BY 48[1220]. ADJUST VERTICAL DIMENSIONS AS REQ'D TO COMPLY WITH FEDERAL, STATE, AND LOCAL CODES.
4. ALL DIMENSIONS ARE IN INCHES. DIMENSIONS IN BRACKETS [] ARE IN MILLIMETERS.

WHAT'S INCLUDED



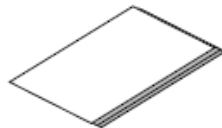
Drainpipe
x2



Drain Elbow
x2



T15 Torx Screws
x2



Installation
instructions

TOOLS & HARDWARE REQUIRED:

- Electrical drill/driver
- Small tubing cutter for plastic line
- 1/4" nut driver
- Means to cut 1-1/4" drain pipe
- T15 Torx screwdriver and bit
- 4 appropriate anchors (not supplied)

PREPARATION

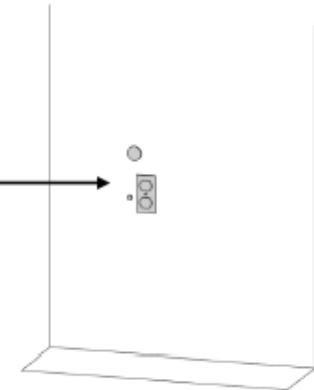
PLEASE READ THESE INSTRUCTIONS BEFORE INSTALLING THE UNIT

Inspect the carton and water cooler for evidence of rough handling and concealed damage. Damage claims should be filed with the carrier.

Locate and install plumbing and electrical service, if required, in accordance with Roughing in Drawing. (See page 2)

The installation must be in accordance with AS/NZS 3500.1 and AS/NZS 3500.2, as well as the instructions below. Pipe jointing and installation is a trade skill and Aqua Cooler recommended this process is performed by qualified personnel only.

Refer to rough-in drawing
for optimal power, water
and waste line locations.

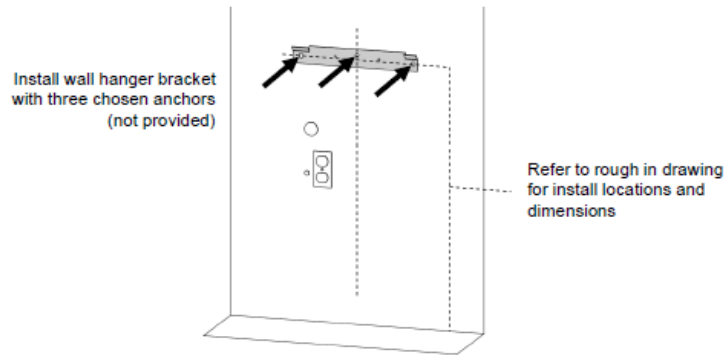


This drinking water cooler is designed to be operated at a water supply line pressure of up to 100 psi (690 kPa). A pressure regulator must be installed in front of units water inlet if water pressure (including any possible pressure spikes) could exceed 100 psi (690kpa)

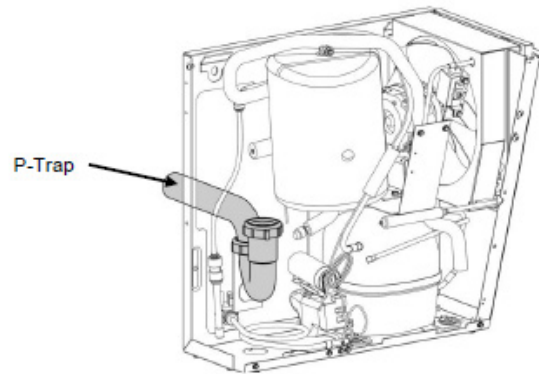
Check available power supply against the water cooler data plate to assure correct electrical service. This drinking water cooler is intended to be connected to a 20A minimum ground fault circuit interrupting (GFCI) device to meet UL requirements. The rear most 1 3/8" diameter knockout in frame bottom is for an externally located electrical supply. Make sure knockout hole edge is smooth and free of any burrs. Use of a Heyco bushing #2184 in knocked out hole is recommended in order to prevent damage to service cord and to close up excess opening around cord. Route cord so it does not interfere with ADA space requirements.

CHILLER INSTALLATION

Install the wall hanger onto the wall according to the rough in drawing. The Wall hanger is shipped fastened to the back of the chiller unit.



Once the chiller unit is hung on the wall, Install a p trap in the waste line and a shut off valve in water supply line.



An in line strainer is furnished in "Water Supply" tube. Connect "Water Supply" tube to shut off valve. NOTE: This connection should not be a solder joint or flare connection to allow access to the strainer for service. Using one of the 1 3/4" diameter knockouts for a waste line is not recommended because of a potential conflict with ADA toe space clearance requirements. Check your local building code inspector for approval.

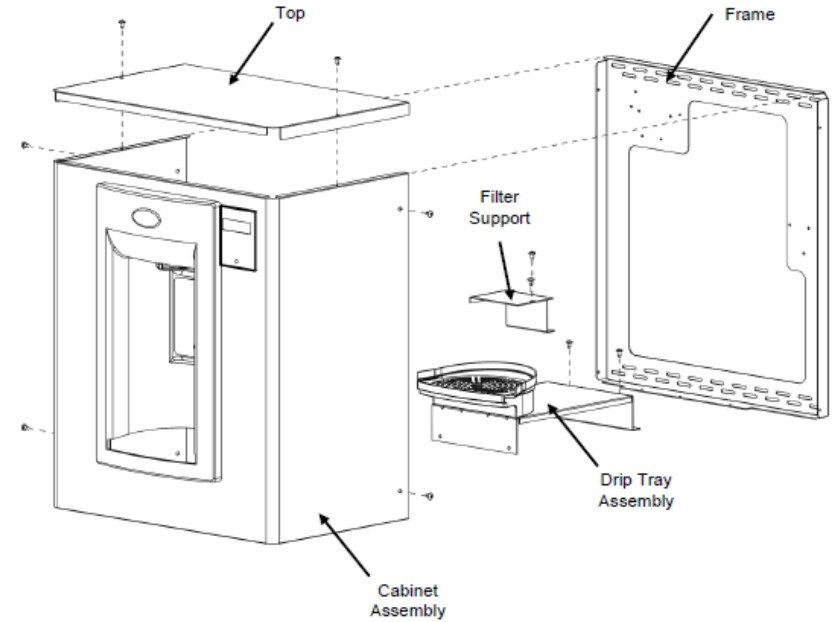
Rotate fan blade by hand to see that it is free of obstructions.

Leave the front panel off for the Bottle Filler installation.

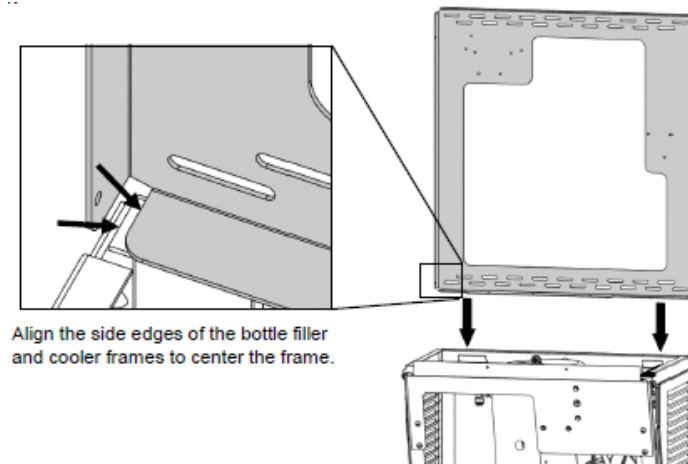
BOTTLE FILLER INSTALLATION

The PN8EBFY comes partially assembled for shipping. Remove the kit from the packaging and separate it into the assemblies and components shown below.

Tool Needed: T15 Torx bit



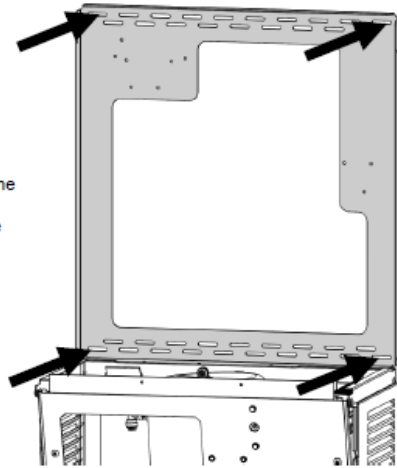
Place the bottle filler frame against the wall and set it onto the top flange of the chiller frame.



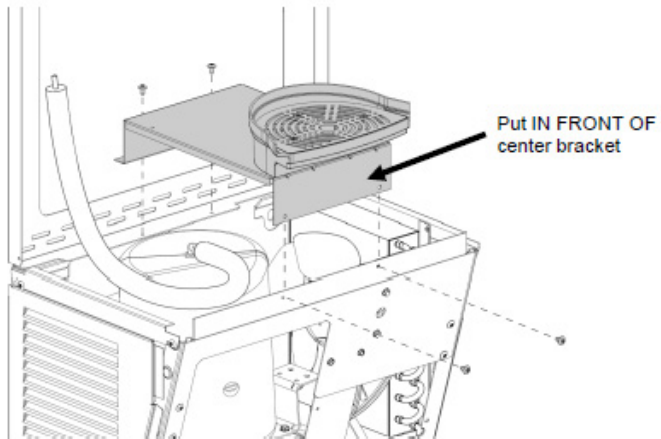
INSTALLATION CONT.

Affix the frame to the wall with at least 4 anchors into any appropriate anchor points through the staggered slotted holes. **Be careful to ensure the frame stays centered on the cooler frame.**

Choose a minimum of 4 anchors appropriate for the surface the unit is being mounted to. Anchors are not provided.

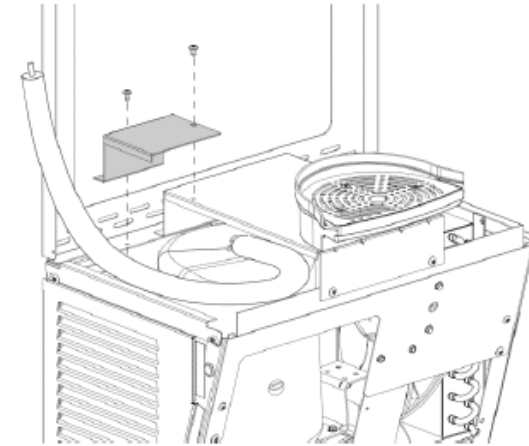


With 4x T15 Torx screws, assemble the drip tray assembly to the center bracket and wall frame.



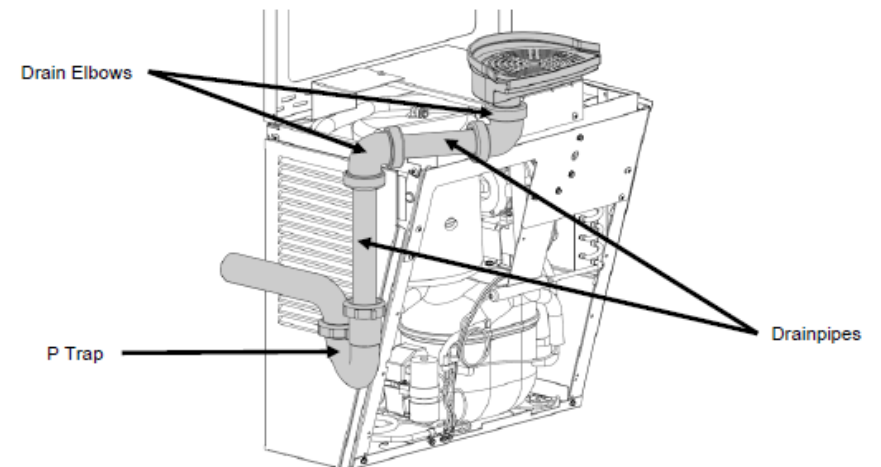
INSTALLATION CONT.

Attach the filter support bracket with 2x T15 Torx screws to the frame and drip tray support bracket. This bracket helps to prevent the filter cartridge from falling into the cooler unit below during installation or replacement.



Attach one of the drain elbows to the drip tray stem. Insert the drainpipe provided into the elbow and then attach another elbow onto the pipe. Use the remaining drainpipe and connect the drip tray drainage system to the installed P trap.

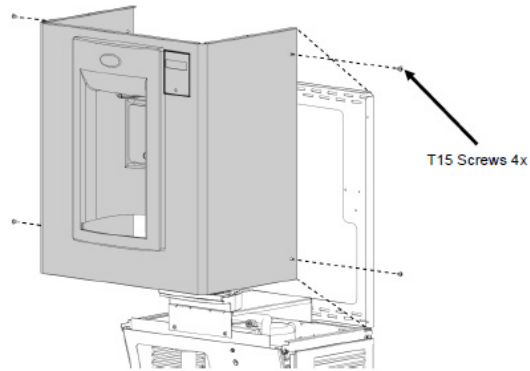
NOTE: Drainpipes will need to be positioned and cut to length as needed.



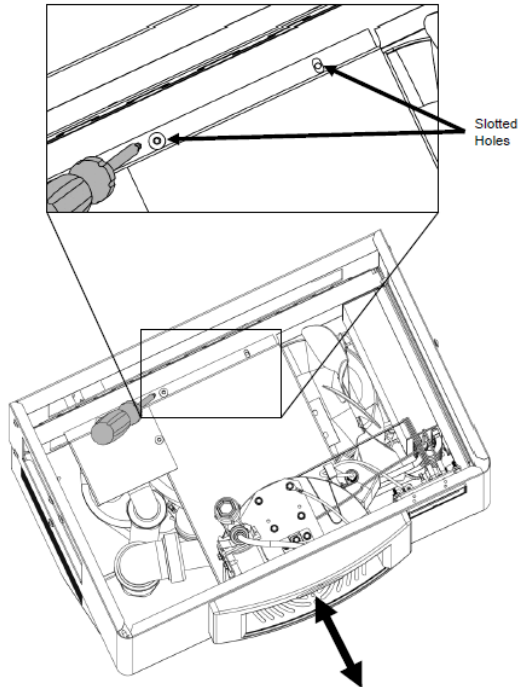
INSTALLATION CONT.

Assemble PN8EBFY wrapper to the installed frame. Rest the alcove on the drip tray and ensure the wrapper walls rest OUTSIDE of the frame and side brackets.

NOTE: The drip tray will hold the weight of the wrapper but it is recommended to keep a hold on the unit during installation for safety.

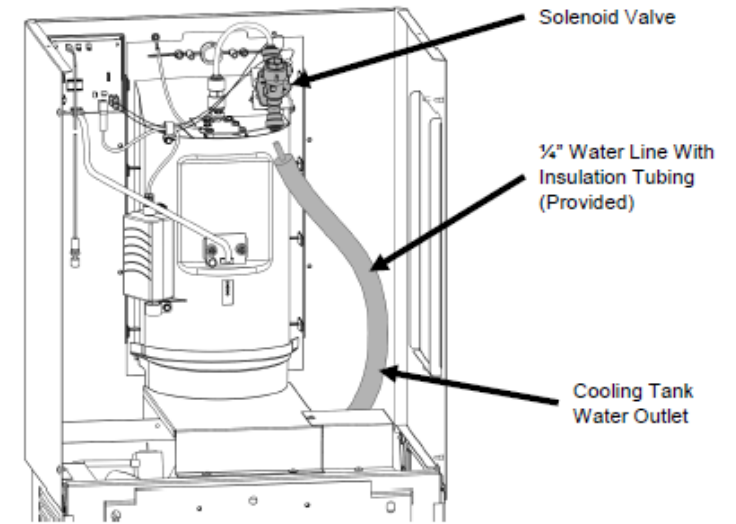


If the outer edge of the drip tray is not properly aligned, loosen the screws mounting the filter support and drip tray bracket to the frame and push forward or back as needed. Then retighten the screws.

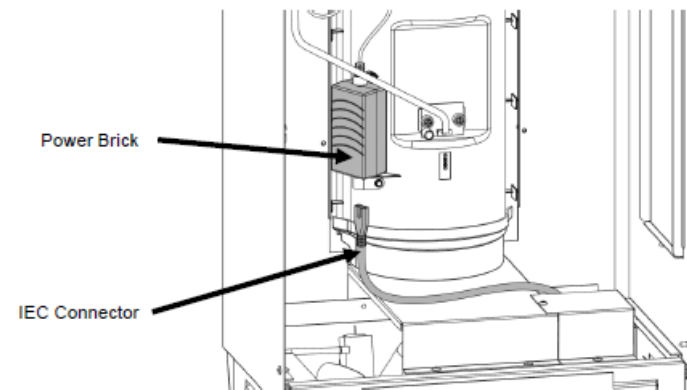


INSTALLATION CONT.

Route the insulated cold water out line up into the bottle filler cabinet and connect it to the solenoid valve located above the alcove.



Connect the IEC connector to the power brick located behind the alcove of the bottle filler. It is recommended to route the power cord from side opposite of the condenser fan to ensure it does not become an obstruction.

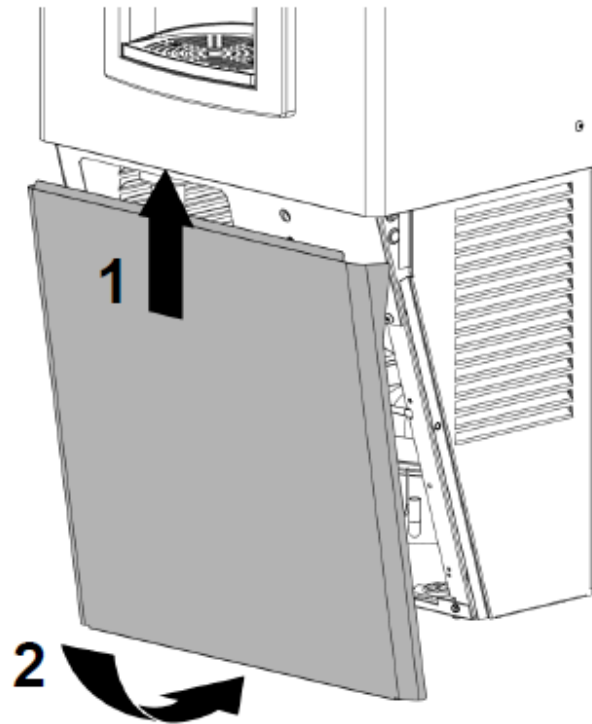


INSTALLATION CONT.

Complete the installation by turning on the water source and checking for leaks.

Ensure nothing is obstructing the fan blade. Plug the power cord back into the wall outlet and then test to ensure the bottle filler is functioning properly.

Once the unit has been verified to be functioning properly, install the front cover panel by inserting the top flange up between the wrapper and center bracket, then tipping the panel back to the fountain. Secure it with the 2x #8 hex screws at the base of the unit.



Complete the installation by installing the Bottle Filler top and filter Access Panels.

SET-UP GUIDES

BOTTLE FILLER ELECTRONICS:

Factory default program settings:

- Units: Gallons
- Unfiltered unit
- Flow meter = Rate selected
- Filter capacity = 1250 gallons (4731L)
- Bottle count = 0.5L (1 bottle)
- Flow rate = 1.2 GPM
- 20s max dispense time.

For each model top cap will need to be set aside until programming is complete. Remove top cap by unscrewing two (2) T15 torx screws if needed. Remove wire tie bundling pushbutton inside bottle filler and feed it through hole in cooler top. You can then adjust program using pushbutton through access panel of cooler.

To change the program settings, follow these steps:

DISPLAY	ACTION
00000000 BOTTLES REUSED (Home Screen)	Depress button for 3 seconds to enter into the following menu settings and make changes. Note: at anytime it will exit menu and save settings when idle for 10 seconds (no button press) and revert back to Home Screen.
LTR/GAL GAL	Depress button for 3 seconds to change from Gallons to Litres, or momentary press to advance to next menu.
UNFILT/FILT? UNFILT UNIT	Depress button for 3 seconds to change from Unfiltered to Filtered unit, or momentary press to advance to next menu
FLOW METER? RATE SELECTED	Depress button for 3 seconds to change from Rate Selected to (Flow) Meter Enabled, or momentary press to advance to next menu
SELECT RATE 1.2 GPM UNIT	To change flow rate, momentarily depress button to change whole gallon digit. Hold button 3 seconds to advance to TENTHS of gallon digit. Depress momentarily to change the digit. Hold button 3 seconds to advance to the next menu.
RESET 00000000 GALLON CNT [LTR COUNT]	Depress button for 3 seconds to reset Gallon or Litre count, or momentary press to advance to next menu
FILT CAPAC OF 1250 GAL [4731 LTR]	Depress button for 3 seconds to change filter capacity to 3000 GAL [11355 Litres] for Versafiller I or Galaxi green filter, or momentary press to advance to next menu
3 sec rule? 0.5L	Depress button for 3 seconds to switch from 0.5L bottle to 3 sec rule, or momentary press to advance to next menu. (The 3 Sec rule increases the bottle count based on a 3 second dispense.)
RESET 00000000 BOT COUNT?	Depress button for 3 seconds to reset (Home Screen) BOTTLES REUSED count, or momentary press to advance to next menu.
Bot Filler Set_time:20s	Depress button for 3 seconds to change maximum dispense time to 10, 20, or 30 seconds, or momentary press advance to next menu.
RUN CAL AGAIN?	Depress button for 3 seconds to run calibration again, or momentary press to advance to next menu.

REMOVING FROM SERVICE

- Close water shut off valve and disconnect power to the CHILLER.
- Provide container to catch water to be drained and place under the cold tank drain.
- Remove the drain plug from the drain tube.
- Actuate the bottle filler and allow the water to drain into the bucket. Replace drain plug.
- Disconnect power to the BOTTLE FILLER.
- Disconnect the water supply line at the shut off valve.

MAINTENANCE

Inspection of condenser should be made at 3 month intervals. To remove dirt and lint from condenser, disconnect power supply cord, then use small stiff non wire or vacuum cleaner attachment brush. Observance of this procedure will ensure adequate air circulation through condenser so operation is efficient and economical.

Outside of unit can be wiped clean with mild soap and water mixture. Never use harsh chemicals or abrasive cleaners, including any chlorine solutions. Rinse thoroughly with clean water, then dry surfaces.

Overload Protection

The compressor motor, where used, is equipped with an automatic reset protector which will disconnect the motor from the line in case of an overload.

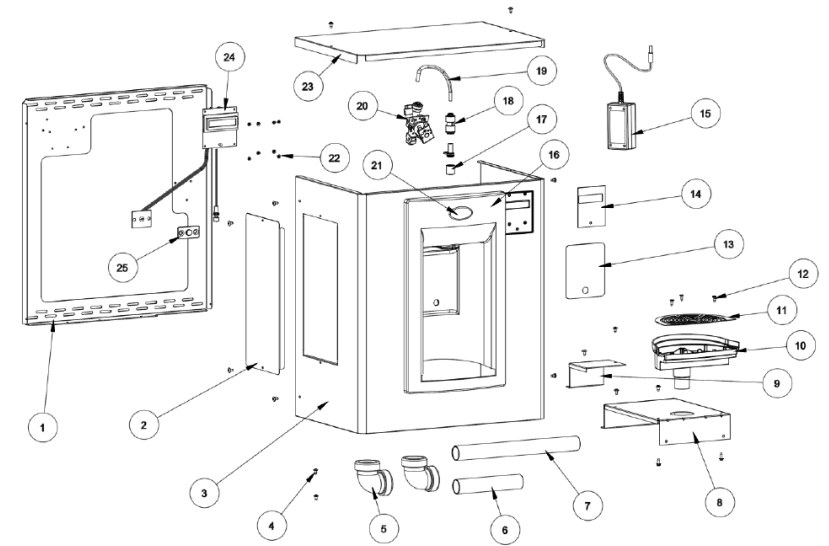
Lubrication

This unit is equipped with a hermetically sealed compressor and requires no additional lubrication. The fan motor, where used, on this unit seldom needs oiling, but if required, a few drops of SAE 10 oil should be used.

TROUBLESHOOTING

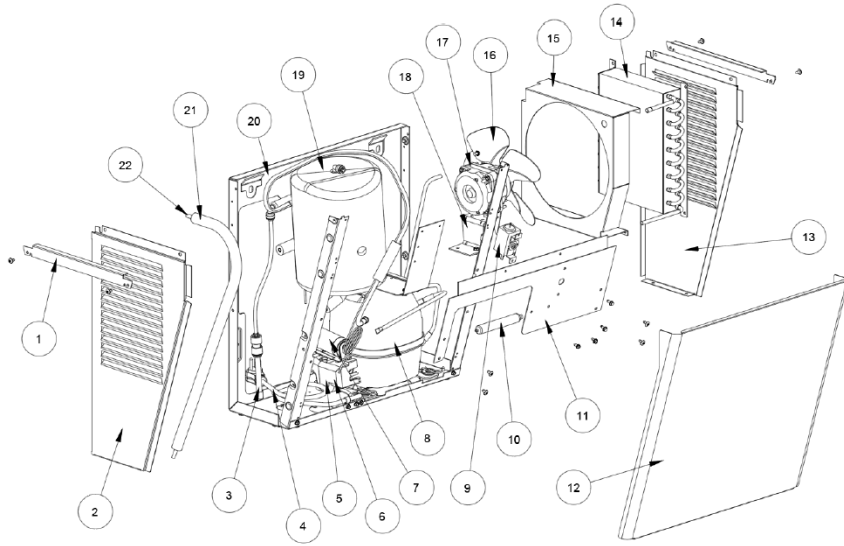
PROBLEM	POSSIBLE CAUSE	REMEDY
Controller is faulty	Temperature sensor is faulty	Check sensor connections.
	Controller display is faulty	Contact Aqua Cooler service team.
No water flowing out of the unit	Water source has been suspended	Restore water supply
	The system is clogged	Check the pipes
	Solenoid valve is faulty	Check controller and cable connections
Unit does not dispense cold water	The cooling controller is turned off	Check the position of the mechanical thermostat and set to desired temperature
	Power failure	Check the power cord is properly plugged in or if there is a power outage
	The ventilation around the unit is insufficient	Ensure sufficient ventilation space around the unit
	System malfunction	Contact Aqua Cooler service team.
	The temperature of the incoming water is too high	Ensure the unit is not placed in direct sunlight or close to other heat sources
Unit is noisy during operation	Chiller unit in the machine is not level	Place the chiller unit on a level flat surface.
	Chiller unit is touching other objects	Ensure the chiller is standing free of any surrounding objects.
The water being dispensed has a strange taste.	This is not uncommon with new water coolers. Do not worry, this is not dangerous to your health.	Flush as per installation instructions. Perform cleaning procedure.

BOTTLE FILLER SPARE PARTS



ITEM	QTY	PART #	DESCRIPTION	ITEM	PART #	DESCRIPTION	
1	1	041245-002	Frame	14	1	038031-005	Label, LCD Bezel
2	1	041241-001	Panel, NN Filter	15	1	038036-003	Power Supply, 100-240VAC/12VDC
3	1	041238-002	Wrapper	16	1	036190-003	Alcove, EBF
4	2	031875-003	Screw, Truss HD Tapping	17	1	038032-001	Flow Nozzle
5	2	A020967	1 1/2" Elbow, W/Nuts, 1 1/4"	18	1	028668-101	FTG, PP Reducing Union
6	1	036010-002	Waste, Tube	19	1	030152-009-SP	Tube, PE White 7.5"
7	1	036010-013	Waste, Tube	20	1	038030-002	Solenoid Valve 12VDC
8	1	041244-002	Bracket, Drip Tray	21	1	031434-014	Nameplate, OASIS
9	1	041246-002	Bracket, Filter Support	22	1	026824-026	Nut, Hex Nylon
10	1	036192-001	Drain, MSBF Support	23	1	041243-002	Panel, Top
11	1	036192-001	Grille, Bottle Filler Drain	24	1	038026-002	Electronics ASSY, IR/LCD
12	3	026675-003	Screw, Flat HD Tapping	25	1	038027-001	Lens, IR Bottle Filler
13	1	038031-006	Label, Alcove Sensor				

CHILLER SPARE PARTS



ITEM	QTY	PART #	DESCRIPTION	ITEM	QTY	PART #	DESCRIPTION
1	2	041242-002	Bracket, ONN Side	12	1	041250-001	Panel, ONN Front
2	1	035080-010	Panel, Side Left STN 430	13	1	035081-010	Panel, Side Right STN 430
3	1	026794-014	Tube, Straight	14	1	031766-201	Condenser
4	1	026407-027	Elec CKT DWG W/Lead Wire P/NS	15	1	031767-004	Shroud, Fan
5	1	041234-001	Relay-PTC	16	1	038773-002	Blade, Fan
6	1	041235-001	Overload	17	1	038813-001	Motor, Fan
7	1	041336-001	Capacitor, Start 88-108UF	18	1	036748-001	Bracket, Fan Motor
8	1	041233-001	Compressor Assy THK4430YAA	19	1	033469-063	Tank Assy, Insul
9	1	027040-039	Control, Cold	20	1	035089-001	Frame, Back/Bottom SA
10	1	034343-003	Drier W/O Process Port	21	1	017681-044	Insulation, Sponge Tube 26"
11	1	041243-002	Bracket, ONN Center	22	1	030152-097	Tube, PE Cut Length WHI 27"

Your Partner in Cool.

Your Partner in Cool.

WARRANTY & SERVICE REGISTRATION

For All Aqua Cooler Water Cooler and Fountain Products

Effective July 2017

Aqua Cooler Pty Ltd warrants this appliance to the first purchaser as follows and subject to the stated conditions.

12 Month Comprehensive Warranty - Any defect in the appliance occurring within the first twelve months from the date of purchase will be rectified free of charge by Aqua Cooler Pty Ltd or by any authorised independent Service Agent.

24 Month Extended Warranty - Aqua Cooler Pty Ltd agrees to replace any part of the hermetically sealed refrigeration system which becomes inoperative in the two years following the first years comprehensive warranty. This extended warranty covers the compressor, condenser, and interconnecting refrigeration pipework. It excludes compressor relays, overloads and all other components of this appliance. This extended warranty does not include service, repair or labour costs or any pickup and/or freight charges. Aqua Cooler at its sole discretion may replace the cooler with a new or refurbished cooler of a similar age.

Warranty Exclusions

1. Any costs associated with the removal and reinstallation of repaired or replaced units.
2. Travel expenses to locations further than 100km from any Australian Capital City CBD or further than 100km of a registered Service Agent.
3. Damage to units where mains connected pressure is higher than 700kPa and a pressure limiting valve is not installed.
4. Where the unit is not installed as per installation instructions found within the supplied user manual.
5. The warranty does not cover defects occasioned by misuse, alterations, accident or where the water cooler has been stored on its side.

**FOR ANY CLAIMS UNDER THIS WARRANTY PLEASE CONTACT AQUA COOLER PTY LTD
PHONE: +61 (02) 9721 9300 OR EMAIL: support@aquacooler.com.au**


Thank you for your custom and we hope our product provides many years of fault free operation. To enable us to register your warranty and provide the best possible service should a problem occur, we recommend you fill out the section below and return it to us immediately.

This warranty is provided in addition to other rights and remedies you have under law: Our goods come with guarantees which cannot be excluded under the Australian Consumer Law. You are entitled to replacement or refund for a major failure and to compensation for other reasonably foreseeable loss or damage. You are also entitled to have the good repaired or replaced if the goods fail to be of acceptable quality and the failure does not amount to a major failure.

Warranty & Service Registration Form

Please fill in this form and mail to us or send via email to support@aquacooler.com.au. If this form is not completed and returned the warranty period will be deemed to have commenced from date of manufacture.

COMPANY NAME (if applicable):	
CONTACT NAME:	PHONE NUMBER:
ADDRESS:	
SUBURB:	POSTCODE:
MODEL NUMBER:	SERIAL NUMBER:
PURCHASED FROM:	
DATE OF PURCHASE:	



AQUA
COOLER

Your Partner in Cool.

Phone Numbers

Sales: 1300 278 226
Service: 1800 278 226

Address

U14, 2-12 Knobel Court
Shailer Park QLD 4128

Internet

www.aquacooler.com.au
info@aquacooler.com.au