



# MAXIMUS SERIES

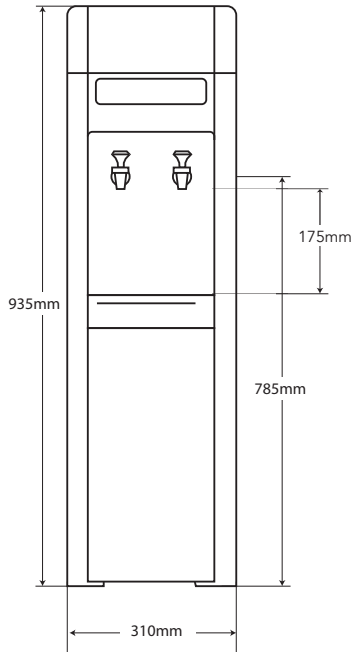
## Usage and Care Manual

Models: XMCC, XMCCF

Your Partner in Cool.

**AQUA**  
**COOLER**

# PRODUCT DIAGRAM



# TECHNICAL SPECIFICATIONS

Water Reservoir	Cold	14 L
Housing Material	Plastic with powder-coated steel side panels and corner peices.	
Refrigeration	Uses R134A refrigerant	
Water Connections	Water Inlet	¼" push-fit connectors
Thermostat Control	The thermostat is factory set	
Capacity	Cold	6.5 L/h
Power Consumption	Main-Connected	Cold 85 W
Electrical	220-240 V, 50/60 Hz	
Warranty	Twelve month comprehensive coverage, additional twenty-four month compressor replacement.	

# IMPORTANT SAFETY INSTRUCTIONS

When using electrical appliances, basic safety precautions should be followed to reduce the risk of fire, electric shock and injury to persons or property. Read all instructions before using any appliance.

1. Keep combustible material such as furniture, bedding, pillows, clothes and/or papers away from the back of the unit.
2. Do not operate this, or any other appliance, with a damaged power cord.
3. No other appliance should be plugged into the same outlet. Be sure that the plug is fully inserted into the outlet.
4. Do not run the power cord over carpeting or other heat insulators.
5. Do not cover the power cord.
6. Keep the power cord away from high traffic areas.
7. Do not submerge the power cord in water.
8. We do not recommend the use of extension cords as they may overheat and increase the risk of fire.
9. Exercise caution and use reasonable supervision when the appliance is used by or near children.
10. Make sure that there is at least 75 mm of space between the back of unit and wall. Keep a minimum of 75 mm on each side of unit free.
11. Do not use this product to dispense anything other than water.
12. This appliance must be placed on an even and flat surface.
13. If the supply cord is damaged, the manufacturer, one of its service agents or a similarly qualified person must replace it in order to avoid hazard.
14. This water cooler must be positioned so the plug is accessible.
15. Disconnect the plug from the outlet when not in use.
16. Remove power plug or disconnect from main power source before servicing the appliance.
17. Warranty will be voided if installation is not carried out as detailed in this instruction manual.
18. The compressor motor is equipped with an automatic reset protector which will disconnect the motor from the line in case of an overload.

## IMPORTANT INFORMATION ABOUT GROUNDING

- To provide additional protection from the risk of shock, this unit **MUST** be connected to a residual-current device (RCD) outlet at all times. Use of an extension cord will void any warranties.
- This appliance must be grounded. Improper use of the grounding plug can result in a risk of electric shock, causing serious injury and possibly death.
- This appliance is equipped with a power cord having a grounding wire with a grounding plug and must be connected into a properly-grounded, polarised outlet.
- Consult a qualified electrician if the grounding instructions are not completely understood, or if doubt exists as to whether the appliance is properly grounded. If the wall outlet is a standard, 2-prong outlet, it is your personal responsibility and obligation to have it replaced with a properlygrounded, 3-prong wall outlet.
- Do not under any circumstances cut or remove the third (ground) prong from the power cord plug. Do not use an adapter plug with this appliance.

# UNPACKING THE WATER COOLER

1. After unpacking the water cooler, wipe with a soft cloth. Check the unit for evidence of rough handling.
2. Place the machine on a hard, flat surface. Make certain the unit is level. The unit should not be close to sources of heat otherwise performance may be affected.
3. It is best to place the water cooler in an area with good air circulation. Make sure there is at least 75 mm of space between the back of your fountain and the wall.

**IMPORTANT** - Check the cold water baffle has not come loose during shipping. Undo top two screws at the back of the cooler and take off lid. Remove top of tank by pressing in tabs. Put baffle back into place if it has moved during transit by pressing the baffle firmly downwards.

## INSTALLATION PROCEDURE

The installation must be in accordance with AS/NZS 3500.1 and AS/NZS 3500.2, as well as the instructions below. The unit is supplied with an Installation kit for connection to the mains water supply. This kit includes a) Dual Check Pressure Limiting Valve b) 1/2" female BSP to 1/4" Speed fit adapter, 1 metres of 1/4" tube, and red locking clips.

1. Ensure proper ventilation by allowing 75 mm clearance on each side of the cooler.
2. Minimum water pressure is 100 kPa and maximum is 500 kPa.
3. A pressure limiting valve is included inside the packaging and acts as the "end connection device". The pressure limiting valve needs to be installed between the mains supply water and the rear water inlet of the water cooler.
4. The recommended maximum water inlet temperature is 38°C. Cooling performance may be affected in high ambient conditions or high water inlet temperatures.
5. Connect 1/4" tubing from mains connection fitting (supplied) to the included pressure limiting valve inlet. Then connect another length of 1/4" tube from the outlet of the pressure limiting valve to the water inlet fitting on the rear of the water cooler. If supplied with filter kit, put filter inline between outlet of pressure limiting valve and inlet of cooler.

**\*\*IMPORTANT\*\*** Make sure you have checked the baffle has not come loose in transit, as per the warning in the unpacking section of these instructions.

6. Turn on water supply and let tank fill with water for approximately 2 minutes.
7. Hold down taps until steady stream of water appears.
8. Check all connections from mains supply through to the rear of the cooler for water leaks.
9. Flush fresh mains water through unit for five minutes to ensure no leaks.
10. Plug the cooler into the building electrical supply and for the cook and cold model: Switch the cold water switch to the ON position.

## OPERATION

After the cooler has been connected to the mains water line, and the unit has been filled with water from the mains connection using the automatic top up float valve, switch the power switch located on the rear of the unit to the ON position. The first time the water cooler is used, you will have to wait at least 45 minutes for cold water.

**For the cook and cold model:** To dispense cook (ambient) water, press the white tap down; To dispense cold water, press the blue tap down.

# TROUBLESHOOTING

Problem	Possible Cause	Remedy
Unit does not dispense cold water.	Over consumption of cold water in a short time.	Wait for 15 minutes while the water cools and try again.
	System malfunction.	Contact Aqua Cooler service team.
	The ventilation around the unit is insufficient.	Ensure sufficient ventilation space around the unit.
	The temperature of the incoming water is too high.	Ensure the unit is not placed in direct sunlight or close to other heat sources.
	The cold water switch is in the OFF position.	Switch the cold water switch to the ON position.
	Cold water baffle is not set properly.	Secure the cold water baffle in the cold tank.
Unit is noisy during operation.	The appliance is not level.	Place the unit on a level, flat surface.
	Unit is touching other objects.	Ensure the unit is standing free of any surrounding objects.
Water leaks from the faucet.	The top portion of the faucet has come loose.	Tighten the top threaded portion of the faucet.
	The faucet has been damaged.	Contact Aqua Cooler service team.
Water is dripping out of the water cooler and onto the floor.	The hose connector is not connected properly.	Make sure the hose connector is properly connected.
The water being dispensed has a strange taste.	This is not uncommon with new water coolers. Do not worry, this is not dangerous to your health.	Flush as per installation instructions. Perform cleaning procedure.

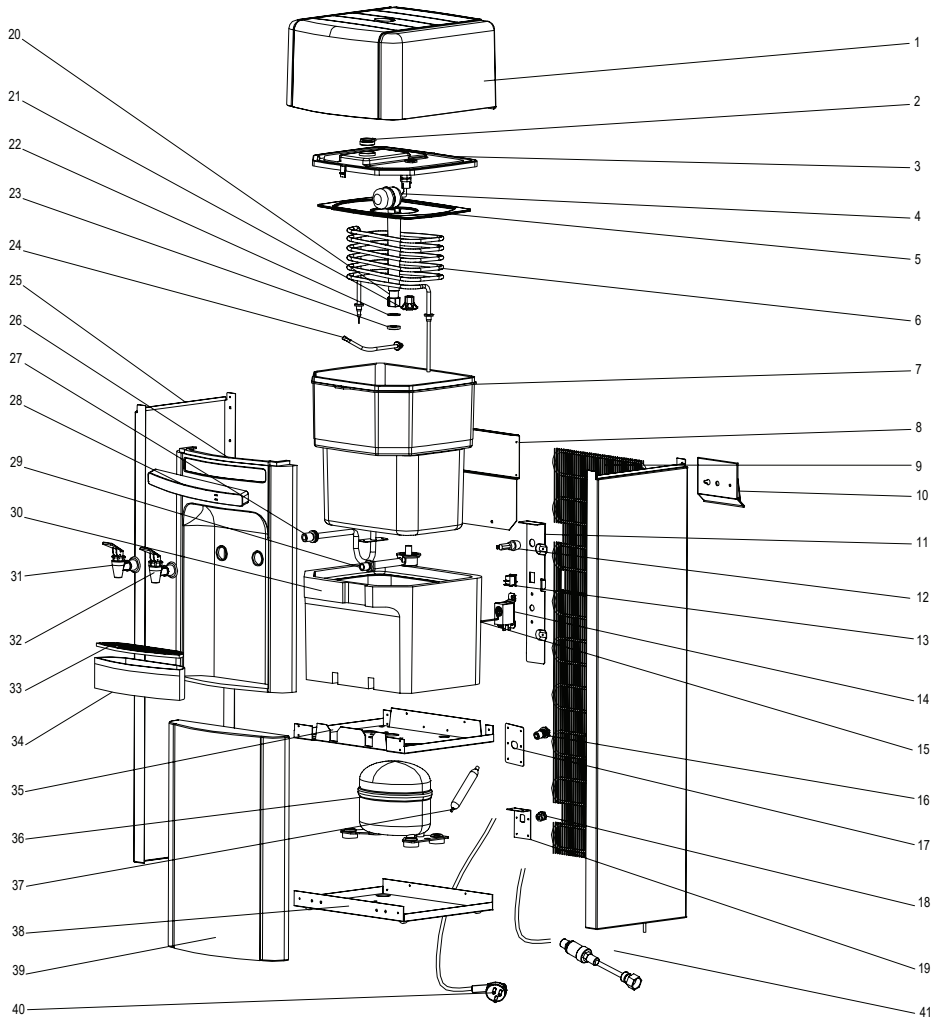
# REMOVING FROM SERVICE

1. Disconnect the power supply cord and water supply
2. Remove the water inside the drip tray
3. Drain all the water from the tank using the taps.

# CLEANING AND MAINTENANCE

- Remove or disconnect power before performing any maintenance or servicing the product.
- Never use detergent or chemicals to clean the water tank.
- If dust or other exterior substance has accumulated on the condenser, wipe off with water-soaked soft cloth.
- Do not directly spray water on the surface of the product. Wipe the front and back of the product with water-soak soft cloth. Remove the drip tray from front of unit and wash out with warm soapy water.
- **To Clean:** Undo top two screws at the back of the cooler and take off lid. Remove top of tank by pressing in tabs. Add 50 ml of household vinegar to the reservoir and let stand for 5 minutes. Scrub reservoir using a non-abrasive scouring sponge and drain solution through the taps. Refill the reservoir with clean tap water and rinse thoroughly. Drain and repeat rinsing at least 3 times or until it runs clear. Reassemble top of tank and lid
- After cleaning the product, ensure it is completely dried before beginning use again.
- The unit requires no additional lubrication on any components
- Aqua Cooler recommends the water cooler is cleaned every 3 to 6 months.
- Ensure there is no blockage in the condenser or in the back of the unit.
- If customers require the unit's spare parts information, please contact the Aqua Cooler Service Department for further assistance.

# EXPLODED DIAGRAM



# SPARE PART LIST

Description	Code
Top cover	SPMAX1
Gas filter cap	SPMAX2
Cold tank cover	SPMAX3
Float switch	SPMAX4
Water baffle	SPMAX5
Evaporator	SPMAX6
Cold tank	SPMAX7
Backplane	SPMAX8
Condenser	SPMAX9
Handle	SPMAX10
Switches fixing board	SPMAX11
Fuse	SPMAX12
Refrigeration switch	SPMAX13
Cold thermostat	SPMAX14
Thermostat prob	SPMAX15
Plate joint	SPMAX16
Plate joint fixing plate	SPMAX17
Power cord buckle	SPMAX18
Power cord	SPMAX19
Cold tank lock nut	SPMAX20

Description	Code
Cold water outlet lock nut	SPMAX21
Gasket	SPMAX22
Seal rings	SPMAX23
Temperature tube	SPMAX24
Left sheet metal	SPMAX25
Front panel	SPMAX26
Warm water outlet	SPMAX27
Brand panel	SPMAX28
Cold water outlet	SPMAX29
Foam of cold tank body	SPMAX30
Warm water tap	SPMAX31
Cold water tap	SPMAX32
Drip tray	SPMAX33
Drip tray cover	SPMAX34
Upper supporting plate	SPMAX35
Compressor	SPMAX36
Drying filter	SPMAX37
Bottom supporting plate	SPMAX38
Under panel	SPMAX39
Cable with plug	SPMAX40
Water connection kit	SPMAX41

# WARRANTY AND SERVICE REGISTRATION

## For All Aqua Cooler Water Cooler and Fountain Products

Effective July 2017

Aqua Cooler Pty Ltd warrants this appliance to the first purchaser as follows and subject to the stated conditions.

**12 Month Comprehensive Warranty** - Any defect in the appliance occurring within the first twelve months from the date of purchase will be rectified free of charge by Aqua Cooler Pty Ltd or by any authorised independent Service Agent.

**24 Month Extended Warranty** - Aqua Cooler Pty Ltd agrees to replace any part of the hermetically sealed refrigeration system which becomes inoperative in the two years following the first years comprehensive warranty. This extended warranty covers the compressor, condenser, and interconnecting refrigeration pipework. It excludes compressor relays, overloads and all other components of this appliance. This extended warranty does not include service, repair or labour costs or any pickup and/or freight charges. Aqua Cooler at its sole discretion may replace the cooler with a new or refurbished cooler of a similar age.

### Warranty Exclusions

1. Any costs associated with the removal and reinstallation of repaired or replaced units.
2. Travel expenses to locations further than 100km from any Australian capital city CBD or further than 100km of a registered Service Agent.
3. Damage to units where mains connected pressure is higher than 500 kPa and a pressure limiting valve is not installed.
4. Where the unit is not installed as per installation instructions found within the supplied user manual.
5. The warranty does not cover defects occasioned by misuse, alterations, accident or where the water cooler has been stored on its side.

FOR ANY CLAIM UNDER THIS WARRANTY PLEASE CONTACT AQUA COOLER PTY LTD

PHONE: +61 (02) 9721 9300 OR EMAIL: support@aquacooler.com.au

Thank you for your custom and we hope our product provides many years of fault free operation. To enable us to register your warranty and provide best possible service should a problem occur, we recommend you fill out the section below and return it to us immediately.

---

---

This warranty is provided in addition to other rights and remedies you have under law: Our goods come with guarantees which cannot be excluded under the Australian Consumer Law. You are entitled to replacement or refund for a major failure and to compensation for other reasonably foreseeable loss or damage. You are also entitled to have the goods repaired or replaced if the goods fail to be of acceptable quality and the failure does not amount to a major failure.

---

---

### Warranty and Service Registration Form

Please fill in this form and mail to us or send via email to support@aquacooler.com.au. If this form is not completed and returned the warranty period will be deemed to have commenced from date of manufacture.

COMPANY NAME (if applicable):

CONTACT NAME:

PHONE NUMBER:

ADDRESS:

SUBURB:

POSTCODE:

MODEL NUMBER:

SERIAL NUMBER:

PURCHASED FROM:

DATE OF PURCHASE:



# MARKS




Spec No. WMTS 105  
SAI GLOBAL  
WMK26317 (Lic. No.)

The appliance is comply with applicable ACMA regulatory arrangements (Regulatory Compliance Mark) and WaterMark WMTS 105.



Your Partner in Cool.



**AQUA**  
**COOLER**

Your Partner in Cool.

**Phone Numbers**

Sales: 1300 278 226

Service: 1800 278 226

**Address**

U14, 2-12 Knobel Court

Shailer Park QLD 4128

**Internet**

[www.aquacooler.com.au](http://www.aquacooler.com.au)

[info@aquacooler.com.au](mailto:info@aquacooler.com.au)